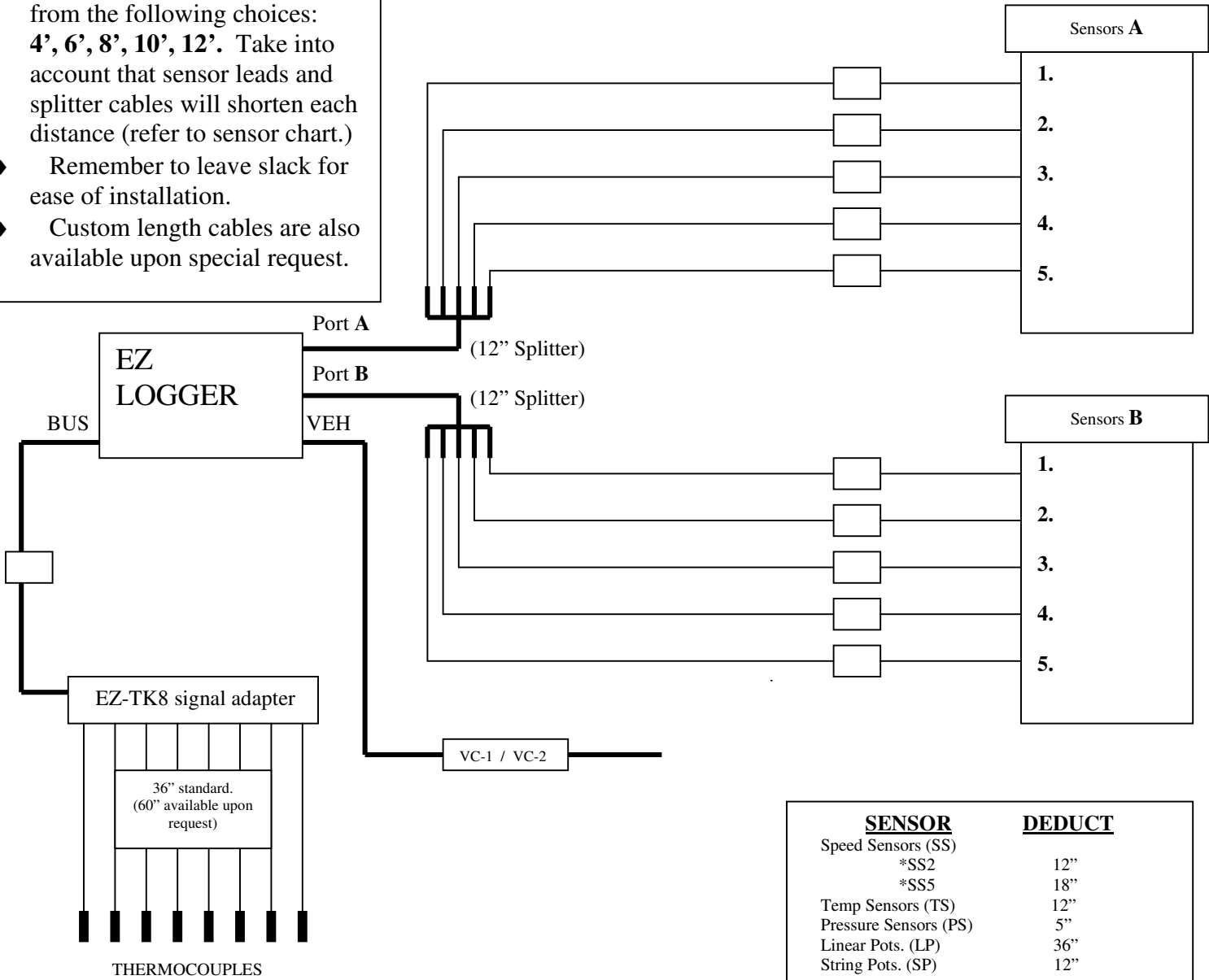


# CORSA INSTRUMENTS CABLE LENGTH WORKSHEET (EZ LOGGER SYSTEM)

- ◆ Fill in all applicable boxes from the following choices: **4', 6', 8', 10', 12'**. Take into account that sensor leads and splitter cables will shorten each distance (refer to sensor chart.)
- ◆ Remember to leave slack for ease of installation.
- ◆ Custom length cables are also available upon special request.



<u>SENSOR</u>	<u>DEDUCT</u>
Speed Sensors (SS)	
*SS2	12"
*SS5	18"
Temp Sensors (TS)	12"
Pressure Sensors (PS)	5"
Linear Pots. (LP)	36"
String Pots. (SP)	12"

**Order #:** \_\_\_\_\_

**Customer Name:** \_\_\_\_\_

**Additional Questions/ Comments:** \_\_\_\_\_

\_\_\_\_\_

\_\_\_\_\_

\_\_\_\_\_

\_\_\_\_\_

\_\_\_\_\_

**Please fax completed form to Corsa Sales Department. (734) 214-5886.**